

GENERAL NOTES:

1. This drawing is to be used only for the purpose of issue and is subject to amendment.
2. This drawing is to be read in conjunction with all other relevant information.
3. Do not scale from this drawing, use only printed dimensions.
4. All dimensions are in millimetres unless defined otherwise.
5. Standard foundations are based on the formation at the base of the excavation shown being suitable for a minimum bearing pressure of 100kN/m². suitability of standard joint bay foundations can only be confirmed following ground investigation. hand vane tests shall be required as per GI specification. where specified minimum bearing pressure is not achievable, and where peat is encountered, the contractor shall refer to the engineer for guidance.
6. The length of bonding lead length shall in no case exceed 10m. No joints in bonding cable are permitted.
7. All earthing shall be in accordance with ENA ER C55 and Eirgrid/ESBN functional specification
8. The depth from ground/road level to the top of the concrete wall shall be
 - A. 500mm - in cultivated fields & grass land
 - B. 300mm - in paved roads and grass verges
 - C. 350mm - in paved city roads and grass verges
9. Link Box Chambers to be positioned at the edge or off road.
10. Link Box Chambers and C2 comm chambers final positioning to be agreed with eirgrid prior to installation

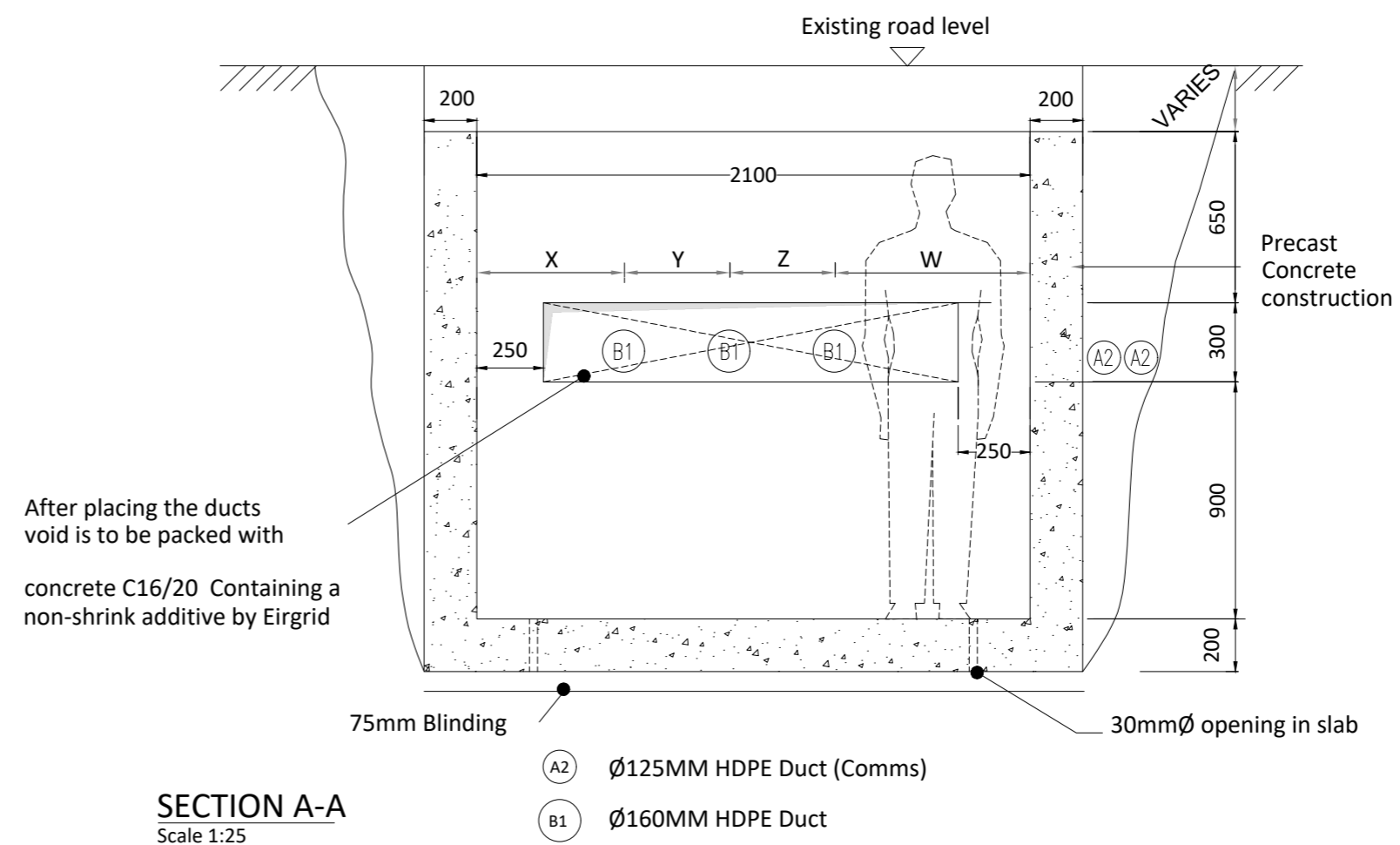
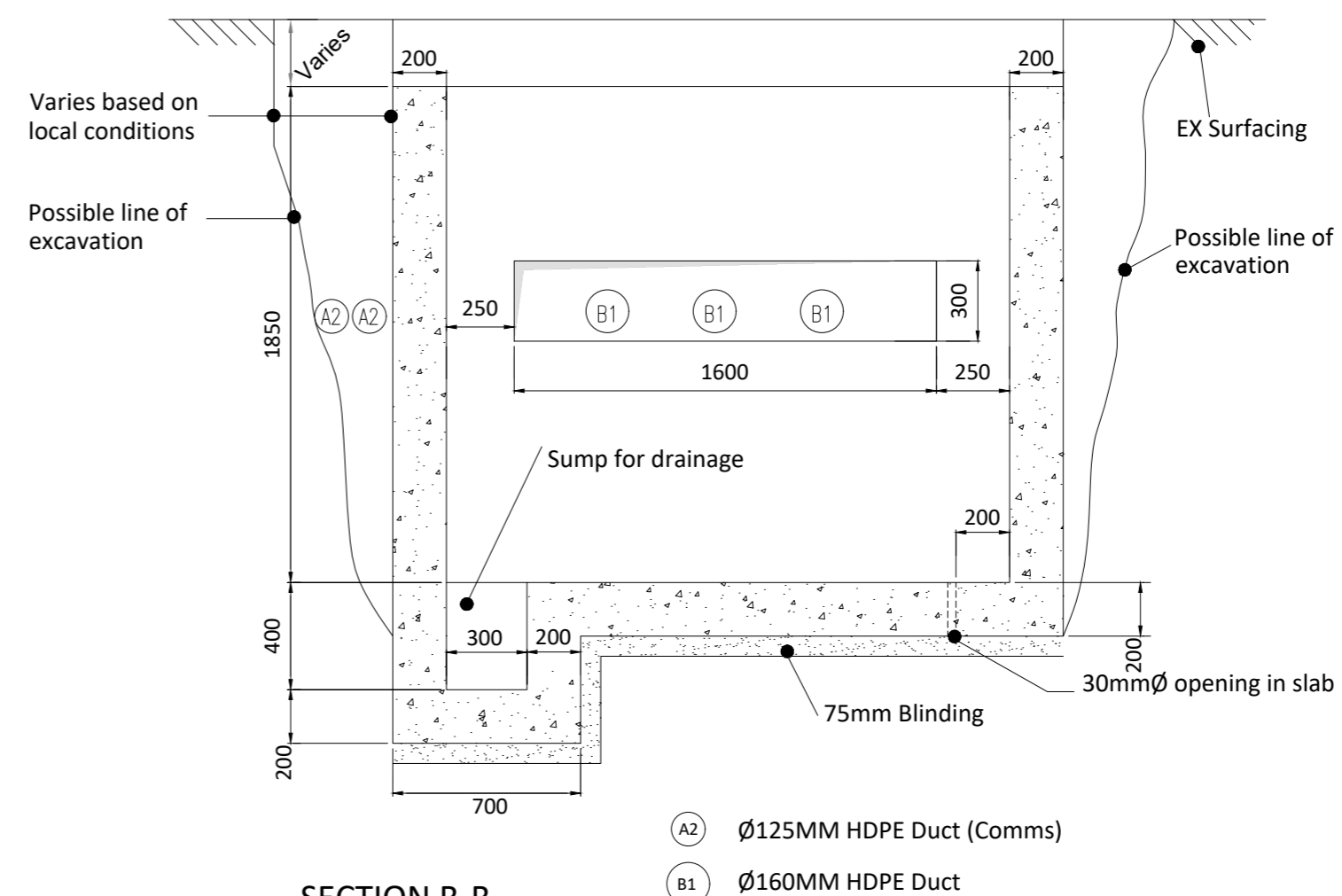
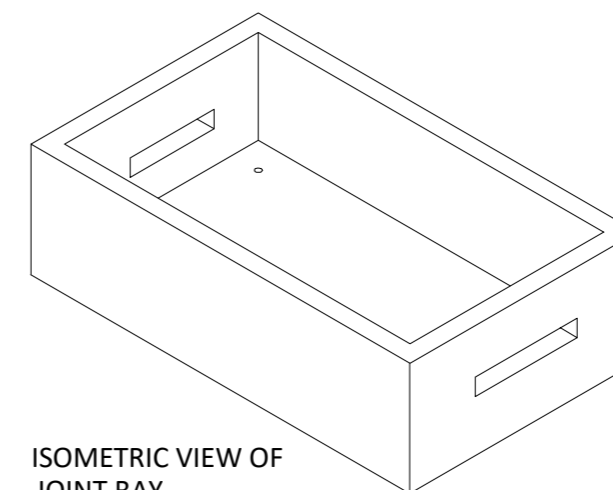


TABLE 1 - Duct Separation

	X	Y	Z	W
110kV	560	400	400	760
220kV	375	675	675	375



SECTION B-B
Scale 1:25



ISOMETRIC VIEW OF JOINT BAY
N.T.S.

PROJECT

**Carrowmagowan
Wind Farm 110kV
Grid Connection**

CLIENT

FuturaEnergy Ireland

CONSULTANTS

MWP

NOTES: -

LEGEND: -

ISSUE/REVISION

I/R	DATE	DESCRIPTION
P5	09.11.23	Issued for Planning
P4	01.06.23	Issued for Planning
P3	02.12.22	Issued for Planning
P2	19.05.20	Issued for Planning
P1	29.11.19	Issued for Planning

PROJECT NUMBER

05-641

SHEET TITLE

Joint Bay Section Detail

SHEET NUMBER

05641-DR-223