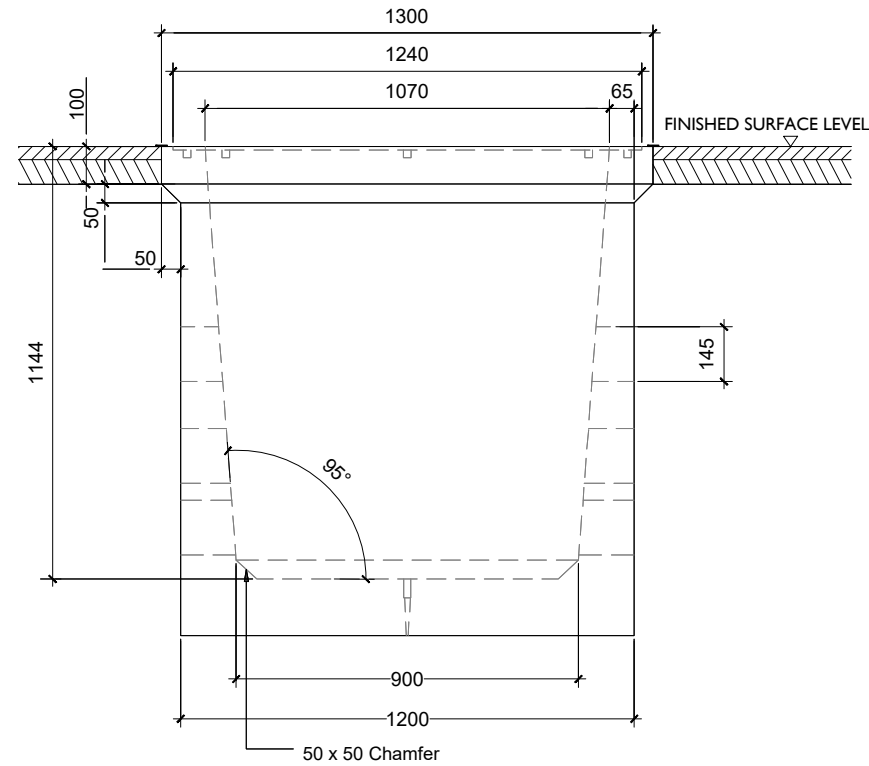


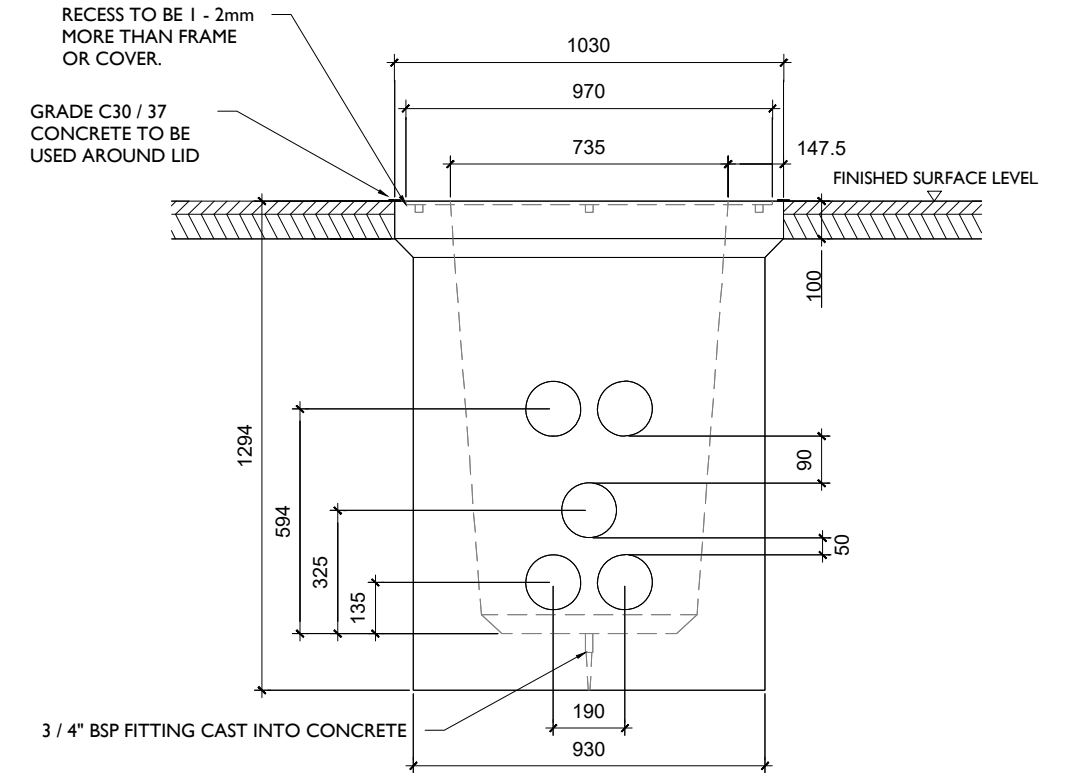
NOTES:

1. ALL DIMENSION IN MILLIMETERS UNLESS OTHERWISE STATED
2. REINSTATEMENTS TO COMPLY WITH REQUIREMENTS OF THE RELEVANT LOCAL AUTHORITY/ASSET OWNER
3. ENTRANCE AND EXIT DUCTS TO BE IN LINE
4. ALL MATERIALS AND WORKMANSHIP TO BE IN ACCORDANCE WITH NRA/T.I.I. SPECIFICATION FOR ROADWORKS, MAY 2005 & SUBSEQUENT REVISIONS
5. REINFORCED CONCRETE TO BE MINIMUM GRADE C32 / 40, SULPHATE RESISTING CEMENT TO BE USED WHERE AGGRESSIVE SOIL CONDITIONS APPLY, REFER TO TABLE 6.1 OF THE BRITISH STANDARD 8110.
6. CARRAIGWAY COVERS AND FRAMES TO BE TO B.S EN 124.
7. ALL COVERS SHALL HAVE "ESB" LOGO INCORPORATED IN THEM TO THE APPROVAL OF EIRGRID
8. STEP IRONS TO BE GOT DIPPED GALVANISED TO B.S 729 AND POSITIONED AS SHOWN ON ANY CHAMBER DEEPER THAN 700mm ON THE END REMOTE FROM ANY SIDE ENTRY DUCT.
9. CONCRETE PRECAST CHAMBER AND COVER TO BE TESTED THROUGH 5 POINTS, 40 TONNES VERTICAL STATIC LOADING TEST BY AN INDEPENDENT TEST COMPANY. IF REQUIRED, FURTHER DETAILS WILL BE PROVIDED BY EIRGRID.
10. FINAL POSITION OF C2 CHAMBERS SHALL BE AGREED WITH ESB/EIRGRID



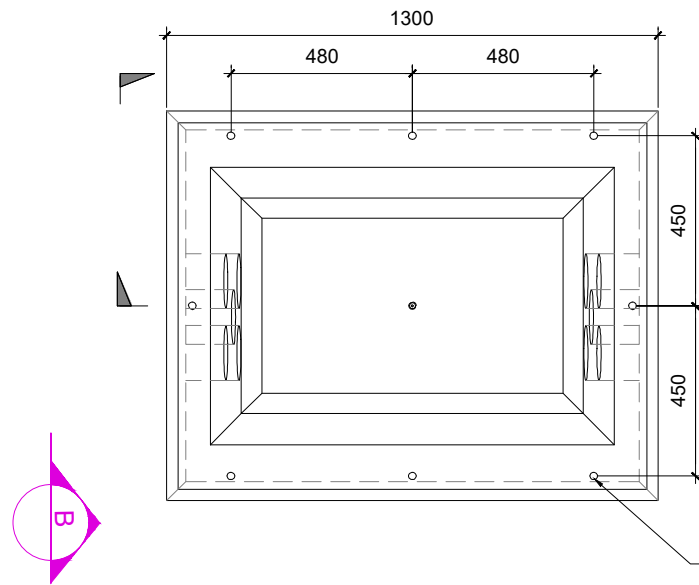
C2 Chamber Detail - Section A

SCALE 1:20



C2 Chamber Detail - Section B

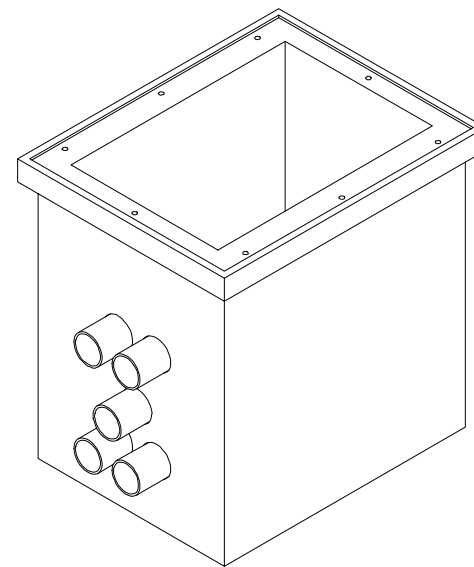
SCALE 1:20



Plan of C2 Chamber

SCALE 1:20

8 HOLES IN THE MOULD TO SUIT THREADED INSERTS (PLEASE CH ALIGNMENT OF ALL HOLES)



Isometric : C2 Chamber Arrangement

SCALE 1:20



Head Office
Beenreigh,
Abbeydorney,
Tralee, Co. Kerry
Ireland
Tel: 00353 66 7135710

CLIENT



PROJECT

Carrownagowan Wind Farm
110kV Grid Connection

PROJECT NUMBER
05-641

SHEET NUMBER
05641-DR-230

SHEET TITLE

Communications
Chamber Details

DRAWING STATUS
For Planning

ISSUE/REVISION

I/R	DATE	DESCRIPTION
P5	09.11.23	Issued for Planning
P4	01.06.23	Issued for Planning
P3	02.12.22	Issued for Planning
P2	19.05.20	Issued for Planning